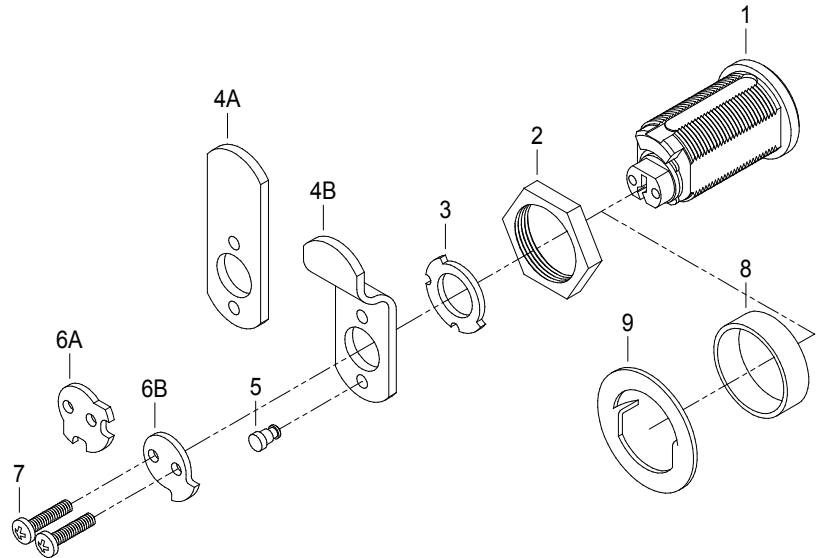


## 21 Series Medeco Cam Lock Kit

### Parts Included In Kit

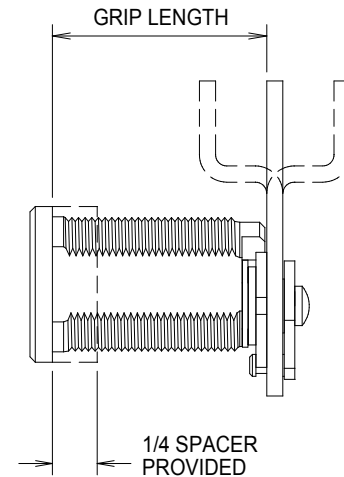
Item	Description
1	Cylinder
2	3/4" Hex Nut
3	90° Stop
4A	Straight Cam
4B	3/8" Offset Cam
5	Drive Pin
6A	90° Captive Drive
6B	360° Non-Captive Drive
7	Drive Screws (2X)
8	1/4" Spacer
9	Double "D" Anchor Washer



### Available Grip Lengths (Mounting Surface to Locking Surface) With Kit

Length	Required Components
9/16"	1/4" Spacer and Offset Cam Inward
13/16"	Offset Cam Inward
15/16"	1/4" Spacer and Straight Cam
1 3/16"	Straight Cam
1 5/16"	1/4" Spacer and Offset Cam Outward
1 9/16"	Offset Cam Outward

Additional spacers from 1/16" to 7/16" thick for other grip lengths Required, but not available with standard kit.

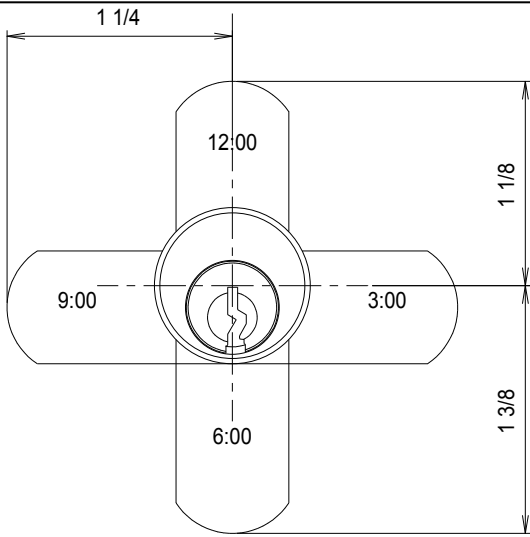


### Installation Instructions

1. If needed, for wooden surface 3/4" round hole installations, secure anchor washer into back of mounting surface to provide "double d" mounting hole. Flats normally installed vertically.
2. Place spacer over cylinder (if needed). Insert cylinder into "double d" mounting hole. Keyway typically is located at 6 o'clock in locked position. Secure cylinder in place with hex nut.
3. Per attached cam, pin and stop configuration table, insert pin through back of cam, orient stop on cam and pin. With cylinder in locked position, place stop, cam, and drive pin onto rear of lock.
4. Insert screws (2) through captive or non-captive drive as required. Fasten to rear of lock per drive configuration table.
5. Insert key and test function.

### Pinning Instructions

1. The Medeco 21 series cam lock is pinned according to the A2 pinning specification. Due to the lack of a control shear line and the diameter of the lock, the total stack height is 12.
2. A special cap, Medeco part number CP-170581, is required to cap the cylinder.



**Cam, Pin, and Stop Configuration Table**

(As viewed from front of cylinder, cam in locked position, • = required drive pin location)

12:00 Locked 3:00 Unlocked CW		12:00 Locked 9:00 Unlocked CCW
3:00 Locked 6:00 Unlocked CW		
3:00 Locked 12:00 Unlocked CCW		
6:00 Locked 9:00 Unlocked CW		6:00 Locked 3:00 Unlocked CCW
9:00 Locked 12:00 Unlocked CW		
9:00 Locked 6:00 Unlocked CCW		

**Drive Configuration Table**

(Back view of cylinder, cam in locked position, • = drive pin location)

Cam at 12:00 or 6:00

CW Non-Captive	CCW Non-Captive	CW or CCW Captive

Cam at 3:00 or 9:00

CW Non-Captive	
CW Captive	
CCW Non-Captive	
CCW Captive	